



4DSP

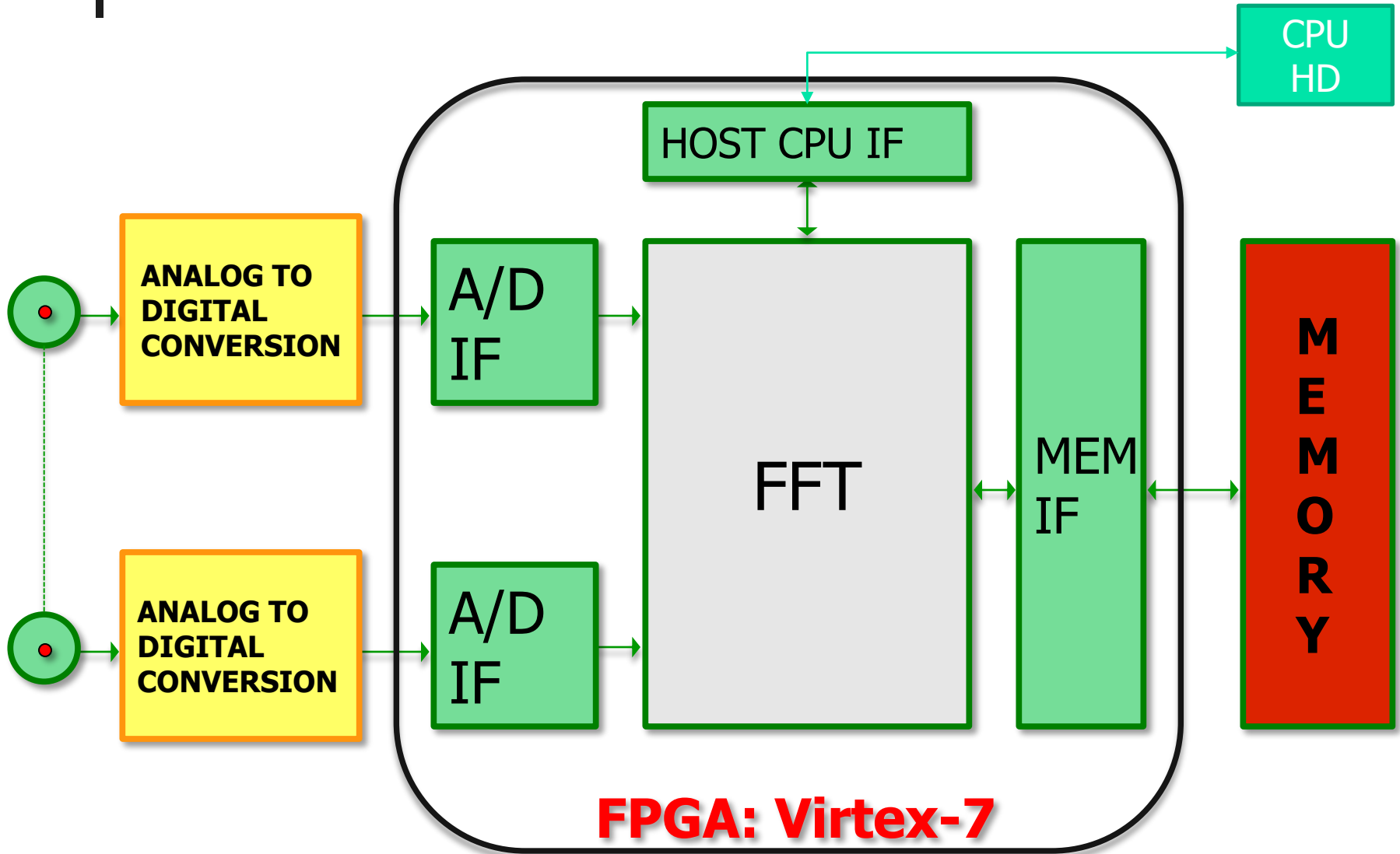
PROTOTYPING FPGA CENTRIC SYSTEMS WITH FMCs

PIERRICK VULLIEZ - CTO & FOUNDER AT 4DSP

Agenda

- Project requirements
- Exploring a potential solution
- Is there a faster way to get this project going?
- FMC: a sure bet for a solution ready on time

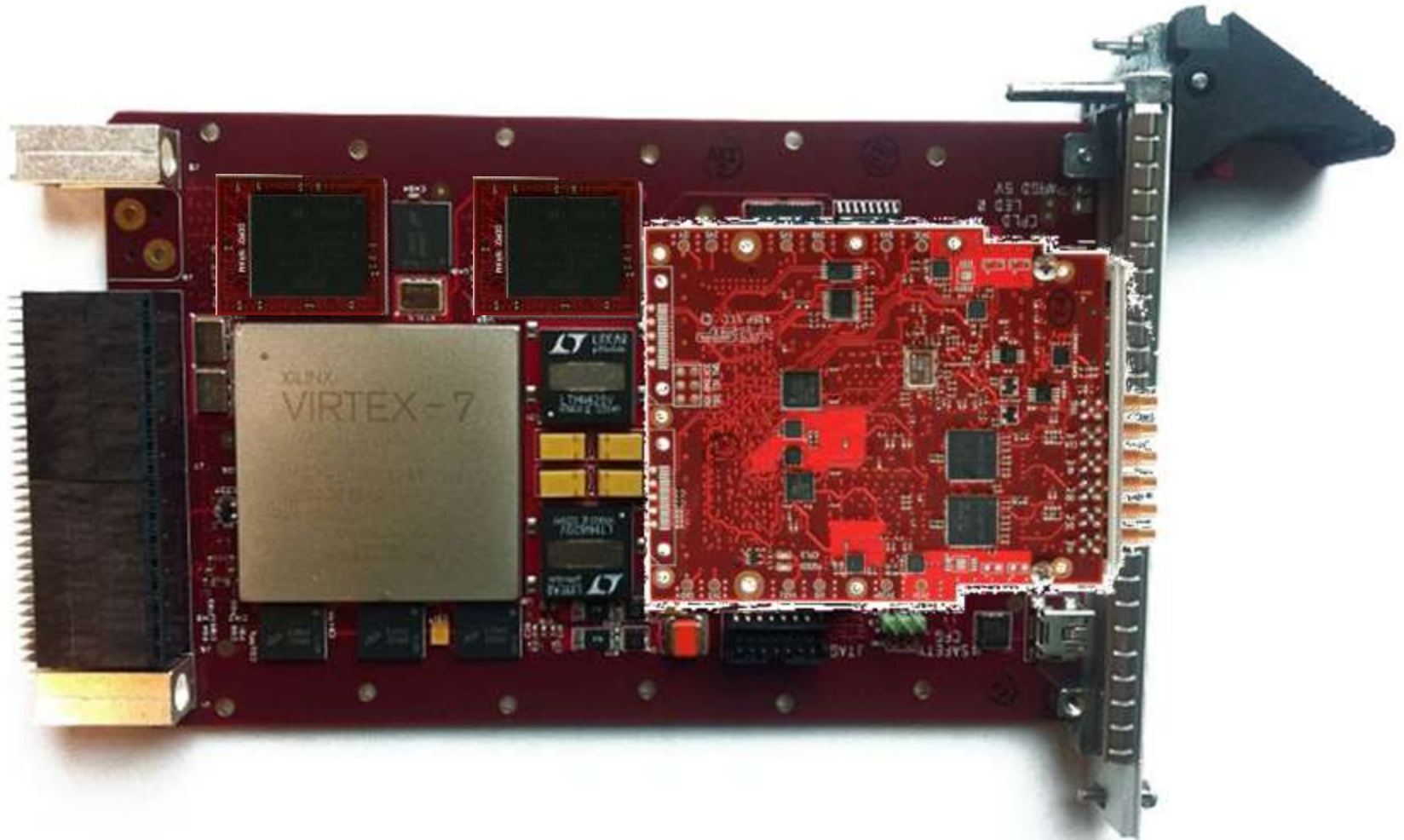
Typical DAQ architecture



Exploring a potential solution



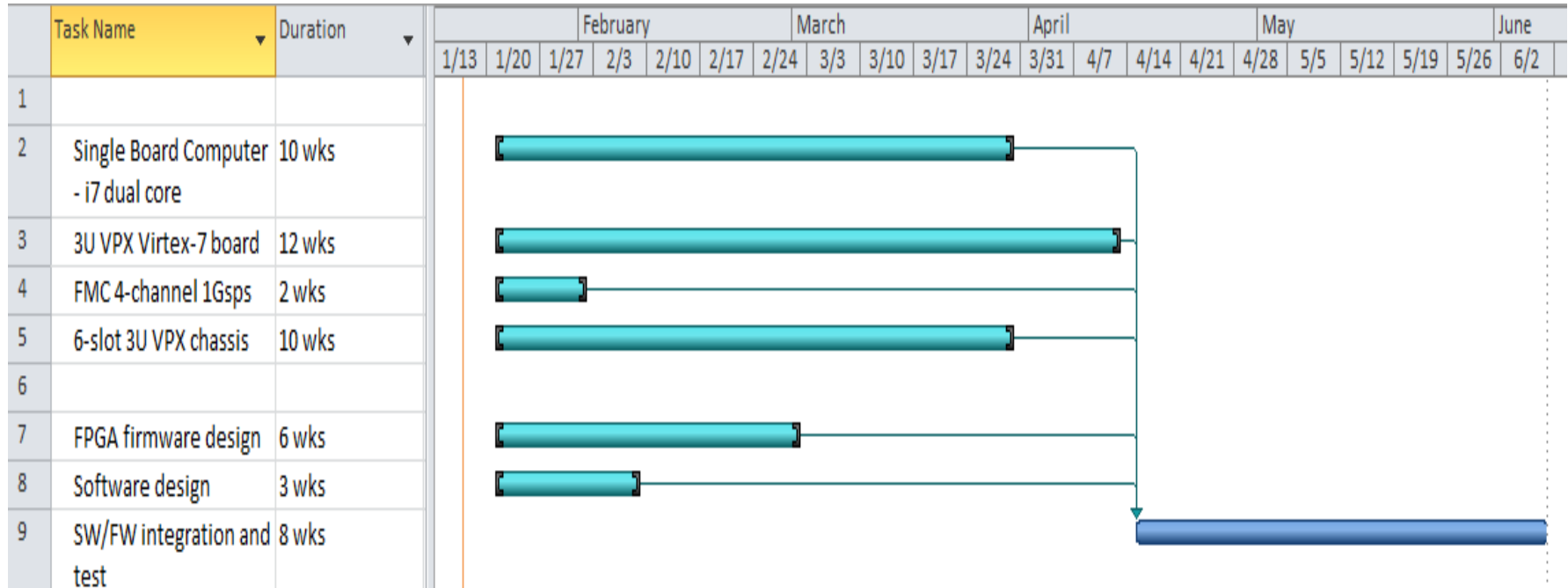
Exploring a potential solution



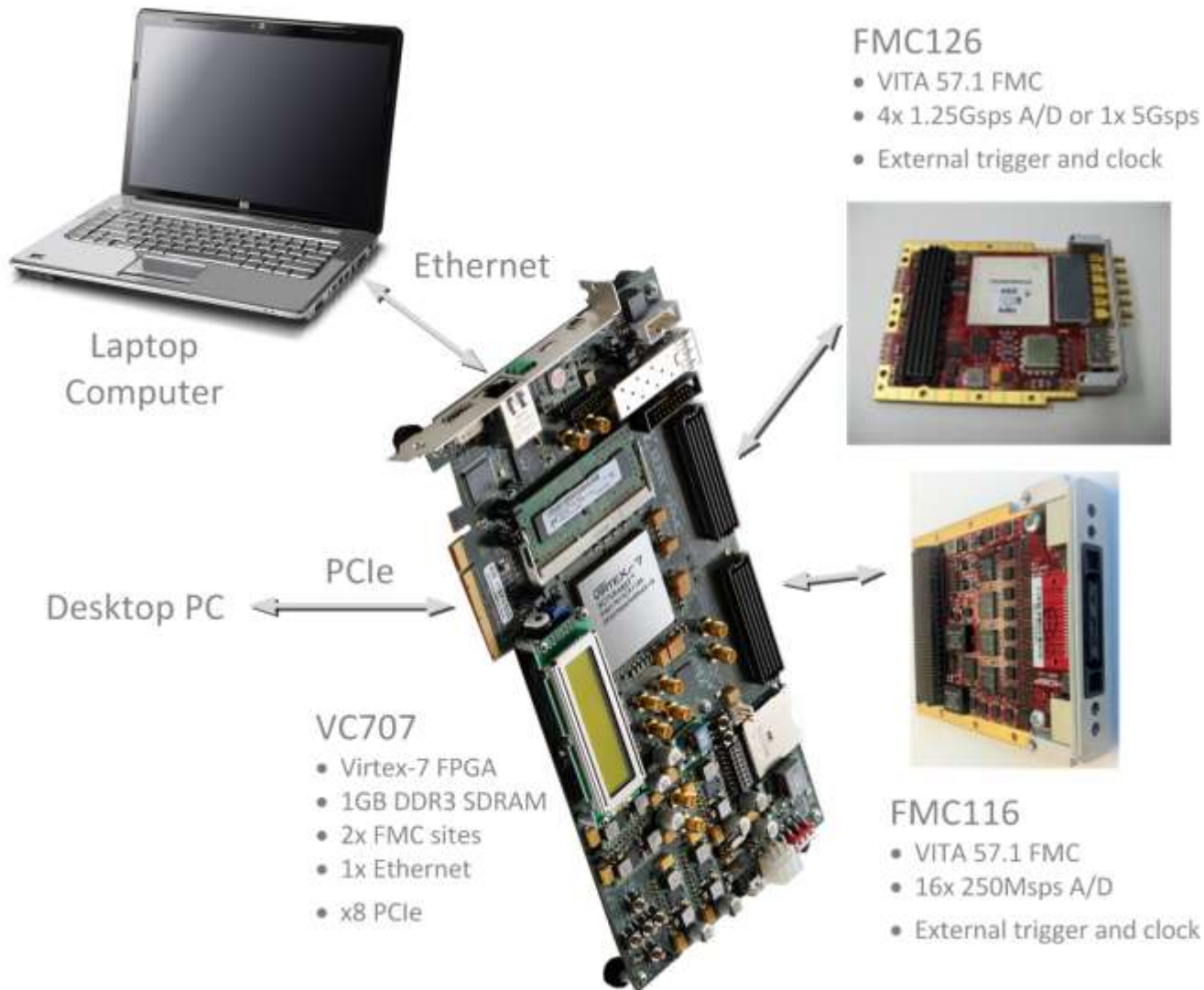
Exploring a potential solution



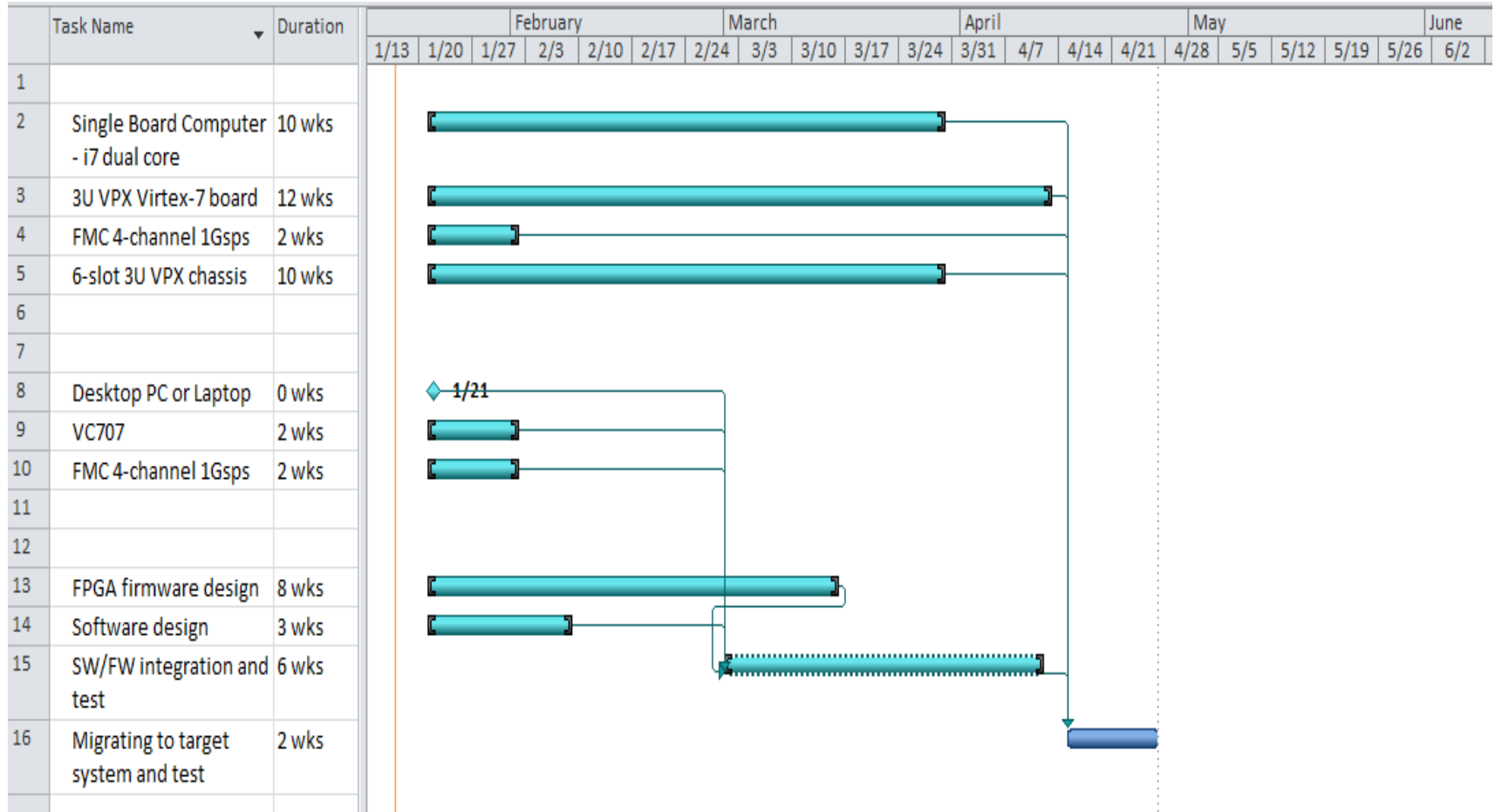
Exploring a potential solution



A different DAQ platform



A different schedule too



FMCs: It's becoming a trend

- FMC sites are available on most Xilinx development boards
- 60+ FMC and FMC carriers from a dozen vendors
- A/D, D/A, RF, Video, TI DSPs, touch screen, optical, etc...
- Becoming easier to integrate FMC and FMC carrier cards from different vendors (VITA 57.2)
- Reduces overall risk and cost for the most demanding applications

Thank you

Pierrick Vulliez, *CTO & Founder*

Contact information:

Pierrick.Vulliez@4dsp.com

<http://www.4dsp.com>

Thank you!